

ORDER PICKER



3000 LBS.

SPECIFICATIONS



8BPUE15 | 8BPU15 | 8BPUH15

CLASS
2

ELECTRIC MOTOR NARROW AISLE

ToyotaForklift.com

ORDER PICKER

CAPACITY
3000 LBS.

MAXIMUM FORK HEIGHT
241 IN. - 390 IN.

LOAD CENTER
24 IN.

INDUSTRIES



Distribution



Food Storage



General
Manufacturing



General
Warehousing



Retail

STANDARD FEATURES

SUPPORT

- Orange forks
- Operator Presence Sensing System (OPSS) via flush mounted pedal
- Full body harness and energy-absorbing tether ¹
- Spring-applied/electric release parking brake

PERFORMANCE

- 24 Volt electrical system ²
- 36 Volt electrical system ³
- Independent lift, drive, and steer motors
- AC drive motor
- AC lift motor ⁴
- DC series wound lift motor ⁵
- Regenerative braking
- Multi-function control handle
- Fully variable lift/lower controls
- Programmable performance
- Hydraulic mast lowering deceleration
- UL "E" rating

OPERABILITY & ERGONOMICS

- Electronic power steering
- 39" wide operator platform
- Full width operator tether bar ⁷
- Low 7.75" step height
- Work material storage compartments
- Clipboard ⁶
- Automatic return to center drive wheel upon start-Up
- Drive wheel direction indicator
- Bubble cushioned floor mat
- Spring platform suspension system
- Anti-rattle mast
- Cushioned mast stops
- Cushioned mast staging

SERVICEABILITY

- 4 function hour meter
 - Key on
 - Deadman pedal
 - Hydraulic
 - Distance traveled
- No tools high-impact service access covers
- On-board diagnostics
- Battery compartment rollers
- Emergency manual lowering valve
- Battery discharge indicator w/lift interrupt

¹ For operator weights up to 310 lbs.
² 8BPUE15 and 8BPU15 models only.
³ 8BPUH15 model only.
⁴ 8BPU15 and 8BPUH15 models only.

⁵ 8BPUE15 model only.
⁶ Optional on 8BPUE15 model.
⁷ 450 lb. capacity.

OPTIONAL EQUIPMENT

MAST OPTIONS

- Full-free lift three-stage mast with lowered freelif cylinder (FSV)
- Wide visible mast (V)
- Full-free lift three-stage mast (FSV)

BODY OPTIONS OR PLATFORM OPTIONS

- Full body harness with retractable tether
- Operator cooling fan
- RF terminal bracket w/ power hookup
- Power hook-up for on-board terminal
- 1.25" - 5" pallet clamp opening
- 2.5" - 6" pallet clamp opening
- Various fork lengths
- Electronic passkey
- Flip-up sidegate power disconnection switch
- Extended operator platform widths (44 - 67 inches)

LIGHTING OPTIONS

- LED operator compartment light
- Overhead guard mounted LED work area lights
- Blue spot light

BATTERY OPTIONS

- Battery sidegate interlock
- 14.5", 16.5", 18.5", 21.25" battery compartment widths (not available on all models)

SPECIAL MODELS

- UL "EE" rated model
- Cold storage conditioning

PRODUCTIVITY OPTIONS

- Lift Logic (linear speed control system)
- Elevated travel speed enhancement
- Double rail guidance with auto steer centering
- Wire guidance
- End of aisle slowdown
- Lift limit with bypass
- Lower limit with bypass
- Mini-lift mast
- Keyless on/off switch

Please contact your local, authorized Toyota Dealer for a complete list of available options.

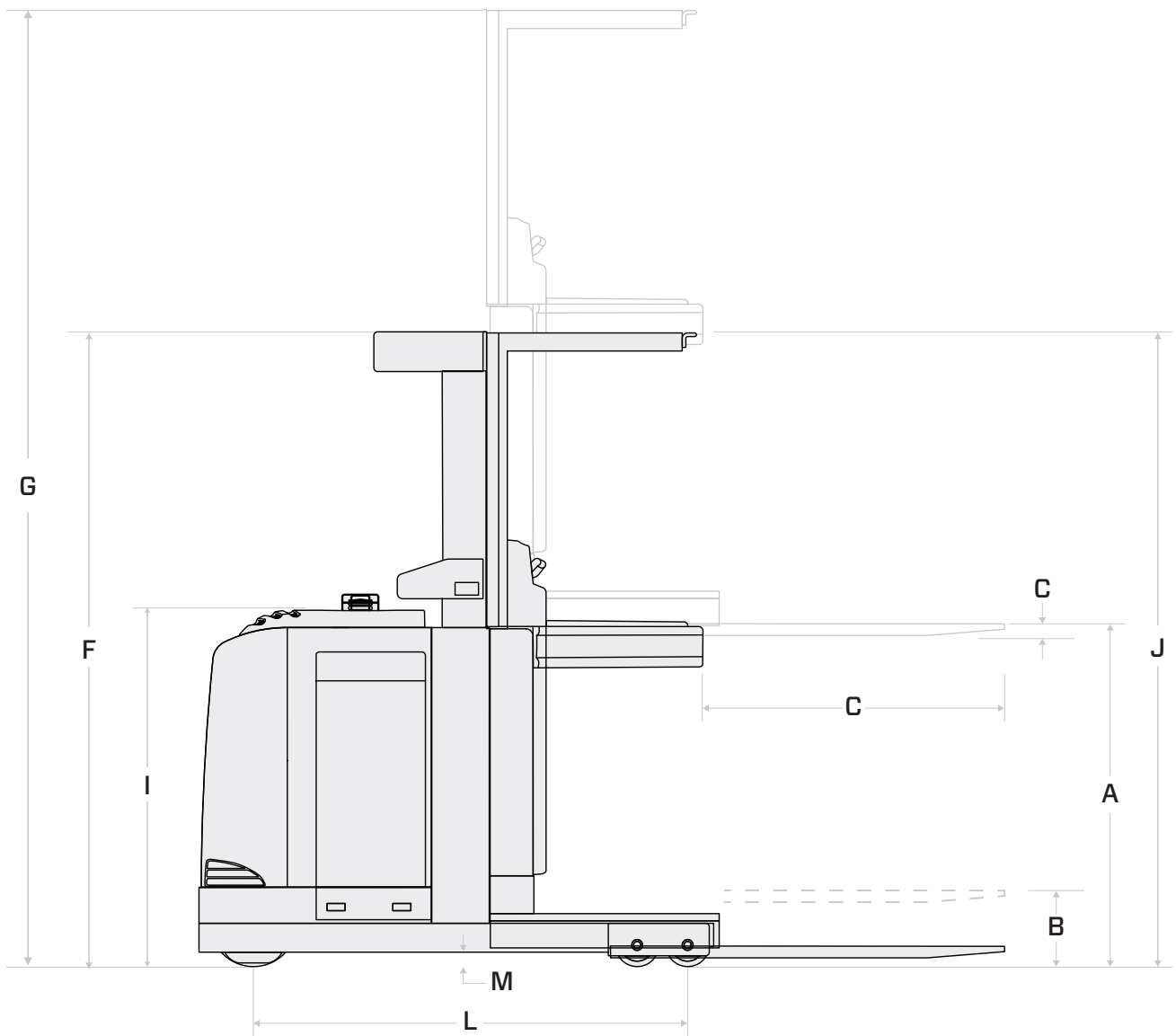
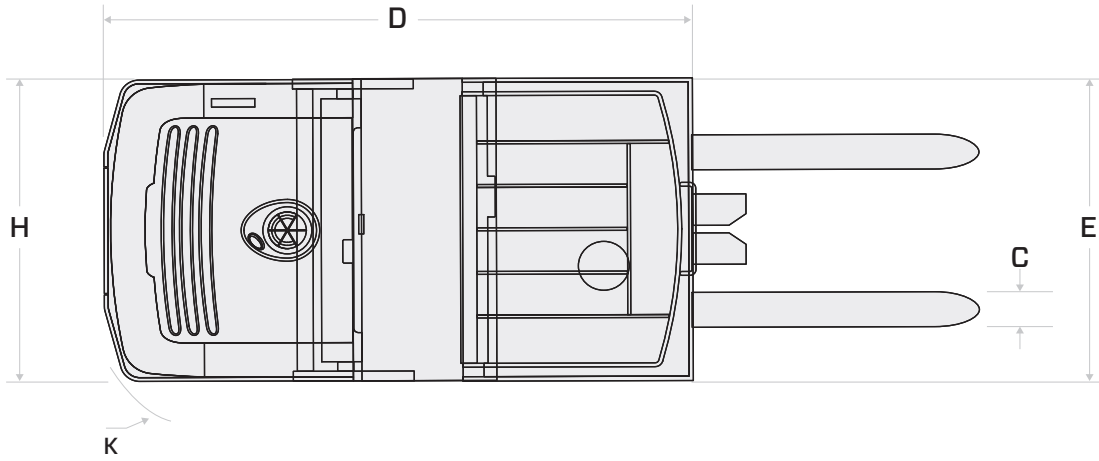


TRUCK SPECIFICATIONS

				MODEL NUMBER			
GENERAL DATA				8BPUE15	8BPU15	8BPUH15	
Load Capacity	lb (kg)			3000 (1360)	3000 (1360)	3000 (1360)	
Load Center	in (mm)			24 (600)	24 (600)	24 (600)	
Power Type	Battery			Battery	Battery	Battery	
	Voltage	V		24	24	36	
Operator Compartment	Length	in (mm)		28.5 (724)	28.5 (724)	28.5 (724)	
	Width	in (mm)		39 (990)	39 (990)	39 (990)	
	Height	in (mm)		78.1 (1984)	78.1 (1984)	78.1 (1984)	
Battery Compartment	Length	in (mm)		13.38 (340)	14.5 (365)	13.75 (349)	
	Width ^{1,2}	in (mm)		31.13 (790)	36.52 (927)	38.56 (979)	
	Height	in (mm)		31.5 (800)	31.5 (800)	31.5 (800)	
Battery Roller	Height	in (mm)		7 (178)	7 (178)	7 (178)	
Operator Position				Stand-Up Rider	Stand-Up Rider	Stand-Up Rider	
Tire Type	Drive / Load			Polyurethane / Polyurethane	Polyurethane / Polyurethane	Polyurethane / Polyurethane	
Wheels (x = driven)	Drive / Load			1x / 2	1x / 4	1x / 4	
EXTERIOR DIMENSIONS				8BPUE15	8BPU15	8BPUH15	
A	Maximum Fork Height (MFH)	in (mm)		See Mast Specs Table	See Mast Specs Table	See Mast Specs Table	
B	Free-Lift	in (mm)		See Mast Specs Table	See Mast Specs Table	See Mast Specs Table	
C	Fork Size (T x W x L)	in (mm)		1.5 x 4 x 42 (38 x 100 x 1070)	1.5 x 4 x 42 (38 x 100 x 1070)	1.5 x 4 x 42 (38 x 100 x 1070)	
D	Length to Fork Face (truck length)	in (mm)		74 (1880)	74 (1880)	74 - 83.75 (1880 - 2127)	
E	Base Legs Overall Width (DAW)	in (mm)		40 (1015)	40 - 60 (1015 - 1524)	40 - 60 (1015 - 1524)	
F	Mast Lowered Height	in (mm)		See Mast Specs Table	See Mast Specs Table	See Mast Specs Table	
G	Mast Extended Height	in (mm)		See Mast Specs Table	See Mast Specs Table	See Mast Specs Table	
H	Power Unit Width	in (mm)		40 (1015)	40 (1015)	40 (1015)	
I	Power Unit Height	in (mm)		47(1194)	47(1194)	47(1194)	
J	Overhead Guard Height	in (mm)		88.25 (2242)	88.25 (2242)	88.25 (2242)	
K	Turning Radius	in (mm)		72.15 (1833)	72.15 (1833)	72.15 (1833)	
PERFORMANCE DATA				8BPUE15	8BPU15	8BPUH15	
Speeds	Maximum Travel	Full Load	mph (km/h)	6.5 (10.5)	6.5 (10.5)	6.5 (10.5)	
		No Load	mph (km/h)	6.5 (10.5)	6.5 (10.5)	6.5 (10.5)	
	Lifting	Full Load	fpm (mm/sec)	33 (168)	57 (290)	80 (406)	
		No Load	fpm (mm/sec)	45 (229)	90 (457)	115 (584)	
	Lowering	Full Load	fpm (mm/sec)	92 (467)	92 (467)	92 (467)	
		No Load	fpm (mm/sec)	70 (356)	70 (356)	70 (356)	
Travel Speed Limits				See Travel Speed Limit Charts	See Travel Speed Limit Charts	See Travel Speed Limit Charts	
TRUCK WEIGHTS				8BPUE15	8BPU15	8BPUH15	
Total Weight (without battery)				lb (kg)	See Mast Specs Table	See Mast Specs Table	See Mast Specs Table
Weight Distribution (with standard battery)	Full Load	A (drive tire)	%	24	24	24	
		B / C	%	38 / 38	38 / 38	38 / 38	
	No Load	A (drive tire)	%	56	56	56	
		B / C	%	22 / 22	22 / 22	22 / 22	
TIRES				8BPUE15	8BPU15	8BPUH15	
Tires	Number (front / rear)			1 / 2	1 / 4	1 / 4	
	Size (dia. x width)	Drive	in (mm)	12 x 5 (305 x 100)	12 x 5 (305 x 100) ¹	12 x 5 (305 x 100)	
		Load	in (mm)	6 x 3.6 (150 x 90)	6 x 3.6 (150 x 90)	6 x 3.6 (150 x 90)	
L Wheelbase				in (mm)	60 (1524)	60 (1524)	60 (1524)
Underclearance	M Center of Wheelbase			in (mm)	2 (51)	2 (51)	2 (51)
Grade Clearance				%	13	13	13
Brake Pedal				Electronic Disc Brake		Electronic Disc Brake	
POWER SYSTEM				8BPUE15	8BPU15	8BPUH15	
Battery (6-hour rating)	Voltage / Capacity			V / Ah	24 / 1085 ²	24 / 1085	36 / 775 ²
	Weight	Minimum	lb (kg)	920 - 1600 (410 - 725)	920 - 1600 (410 - 725)	1600 - 2600 (725 - 1179)	
		Maximum	lb (kg)	2000 (907)	2000 (907)	2000 - 2900 (907 - 1315)	
Electric Motors	Drive/Load		hp (kW)	6.3 (4.7)	6.3 (4.7)	6.97 (5.2)	
	Load Handling		hp (kW)	4.96 (3.7)	14.1 (10.5)	14.08 (10.5)	
	Power Steering		hp (kW)	.5 (.37)	.5 (.37)	.5 (.37)	
Control Type	Drive			Transistor	Transistor	Transistor	
	Load Handling			Transistor	Transistor	Transistor	
	Power Steering			Transistor	Transistor	Transistor	

1 Mast fork heights taller than 315 inches or battery compartments 18.5 inches and larger will receive 13.5 inch drive tire.
 2 For standard battery compartment size only.

EXTERIOR DIMENSIONS



MAST SPECIFICATIONS

MAST TYPE	MAXIMUM FORK HEIGHT (TOP OF FORKS)	OVERALL HEIGHT		FREELIFT	TRUCK WEIGHT (WITHOUT BATTERY)
		LOWERED	EXTENDED		
	in (mm)	in (mm)	in (mm)	in (mm)	lb (kg)
8BPUE15					
Wide Visible 2-Stage (V)	123 (3124)	88.5 (2248)	208 (5283)	-	4650 (2111)
	137 (3480)	95 (2413)	222 (5639)	-	4680 (2125)
	161 (4089)	107 (2718)	246 (6248)	-	4730 (2147)
	201 (5105)	127 (3226)	286 (7264)	-	4814 (2186)
	241 (6121)	147 (3734)	326 (8280)	-	4898 (2224)
Full Free-Lift 3-Stage (FSV)	189 (4877)	88 (2235)	274 (6960)	3 (76)	4780 (2170)
	210 (5334)	95 (2413)	295 (7493)	10 (254)	5065 (2300)
	240 (6096)	107 (2718)	325 (8255)	22 (559)	5615 (2549)

MAST TYPE	MAXIMUM FORK HEIGHT (TOP OF FORKS)	OVERALL HEIGHT		FREELIFT	TRUCK WEIGHT (WITHOUT BATTERY)
		LOWERED	EXTENDED		
	in (mm)	in (mm)	in (mm)	in (mm)	lb (kg)
8BPU15					
Full Free-Lift 3-Stage (FSV)	189 (4800)	88 (2235)	274 (6960)	3 (76)	4780 (2170)
	210 (5334)	95 (2413)	295 (7493)	10 (254)	5065 (2300)
	240 (6096)	107 (2718)	325 (8255)	22 (559)	5615 (2549)
	273 (6934)	118 (2997)	358 (9093)	33 (838)	5910 (2683)
	300 (7620)	127 (3226)	385 (9779)	42 (1067)	6100 (2769)
	315 (8001)	132 (3353)	400 (10160)	47 (1194)	6235 (2831)
	330 (8382) ¹	141 (3581)	415 (10541)	56 (1422)	6439 (2923)
	348 (8839) ¹	147 (3734)	433 (10998)	62 (1575)	6684 (3035)
Full Free-Lift 3-Stage (FSV) with Lowered Freelif Cylinder	366 (9296) ¹	153 (3886)	451 (11455)	68 (1727)	6930 (3146)
	272 (6909)	123 (3124)	358 (9093)	38 (965)	5950 (2699)
	300 (7620)	136 (3454)	385 (9779)	51 (1295)	6275 (2846)
	315 (8001)	144 (3658)	400 (10160)	59 (1498)	6550 (2971)
	330 (8382) ¹	159 (4039)	415 (10541)	74 (1880)	6750 (3062)
	348 (8839) ¹	165 (4191)	433 (10998)	80 (2032)	6850 (3107)
	366 (9296) ¹	171 (4343)	451 (11455)	86 (2184)	7050 (3198)

MAST TYPE	MAXIMUM FORK HEIGHT (TOP OF FORKS)	OVERALL HEIGHT		FREELIFT	TRUCK WEIGHT (WITHOUT BATTERY)
		LOWERED	EXTENDED		
	in (mm)	in (mm)	in (mm)	in (mm)	lb (kg)
8BPUH15					
Full Free-Lift 3-Stage (FSV)	189 (4800)	88 (2235)	274 (6960)	3 (76)	4780 (2170)
	210 (5334)	95 (2413)	295 (7493)	10 (254)	5065 (2300)
	240 (6096)	107 (2718)	325 (8255)	22 (559)	5615 (2549)
	273 (6934)	118 (2997)	358 (9093)	33 (838)	5910 (2683)
	300 (7620)	127 (3226)	385 (9779)	42 (1067)	6100 (2769)
	315 (8001)	132 (3353)	400 (10160)	47 (1194)	6235 (2831)
	330 (8382) ¹	141 (3581)	415 (10541)	56 (1422)	6439 (2923)
	348 (8839) ¹	147 (3734)	433 (10998)	62 (1575)	6684 (3035)
	366 (9296) ¹	153 (3886)	451 (11455)	68 (1727)	6930 (3146)
	390 (9906) ¹	161 (4089)	475 (12065)	76 (1930)	7260 (3293)
Full Free-Lift 3-Stage (FSV) with Lowered Freelif Cylinder	272 (6909)	123 (3124)	358 (9093)	38 (965)	5950 (2699)
	300 (7620)	136 (3454)	385 (9779)	51 (1295)	6275 (2846)
	315 (8001)	144 (3658)	400 (10160)	59 (1498)	6550 (2971)
	330 (8382) ¹	159 (4039)	415 (10541)	74 (1880)	6750 (3062)
	348 (8839) ¹	165 (4191)	433 (10998)	80 (2032)	6850 (3107)
	366 (9296) ¹	171 (4343)	451 (11455)	86 (2184)	7050 (3198)

¹ Requires Toyota Special Design (TSDR) approval.

TRAVEL SPEED LIMITS

MAXIMUM FORK HEIGHT in (mm)	STEERING ANGLE ≤ 10°		STEERING ANGLE > 10°	
	MAXIMUM TRAVEL SPEED mph (km/h)		MAXIMUM TRAVEL SPEED mph (km/h)	
	TRACTOR FIRST	FORKS FIRST	TRACTOR FIRST	FORKS FIRST
STANDARD				
0-24 (0-600)	6.5 (10.5)	5.5 (8.9)	6.5 (10.5)	5.5 (8.9)
24-60 (600-1524)	6.0 (9.7)	5.5 (8.9)	2.5 (4.0)	2.5 (4.0)
60-150 (1524-3810)	3.0 (4.8)	3.0 (4.8)	1.0 (1.6)	1.0 (1.6)
150 (3810) & higher	1.0 (1.6)	1.0 (1.6)	0.0 (0.0)	0.0 (0.0)
WITH ELEVATED SPEED ENHANCEMENT OPTION				
0-24 (0-600)	6.5 (10.5)	5.5 (8.9)	6.5 (10.5)	5.5 (8.9)
24-60 (600-1524)	6.0 (9.7)	5.5 (8.9)	2.5 (4.0)	2.5 (4.0)
60-120 (1524-3045)	4.3 (6.9)	4.3 (6.9)	1.0 (1.6)	1.0 (1.6)
120-180 (3048-4572)	2.7 (4.3)	2.7 (4.3)	0.0 (0.0)	0.0 (0.0)
180 (4572) & higher	1.0 (1.6)	1.0 (1.6)	0.0 (0.0)	0.0 (0.0)
WITH LIFT LOGIC OPTION				
0-24 (0-600)	6.5 (10.5)	5.5 (8.9)	6.5 (10.5)	5.5 (8.9)
24-60 (600-1524)	6.0 (9.7)	5.5 (8.9)	2.5 (4.0)	2.5 (4.0)
60-240 (1524-6096)	Linear speed reduction ¹	5.5 mph up to 78 inches, then linear speed reduction ¹	-	-
60-150 (1524-3810)	-	-	1.0 (1.6)	1.0 (1.6)
240-390 (6096-9906)	1.0 (1.6)	1.0 (1.6)	-	-
150-390 (3810-9906)	-	-	0.0 (0.0)	0.0 (0.0)

¹ Linear speed reduction equals approximately 1mph reduction for every 36 inches of increased height.



“THE NAME ON MY SHIRT SAYS TOYOTA, BUT I WORK FOR YOU.”

Alan - 360 Technician, Atlas Toyota Material Handling, Chicago, IL



HELP IS ALWAYS HERE WITH TOYOTA 360 SUPPORT.

The industry's best and most comprehensive dealer network quickly delivers Toyota Certified Technicians to your work site. These specially trained technicians can also help assess your warehouse and facility needs to recommend the right equipment for the job. And with the largest fleet of used and rental material handling products, Toyota 360 keeps your business running at full speed.

ToyotaForklift.com/360-Support



YOUR BUSINESS IS RIDING ON IT.

Some product features described herein are optional. Please consult your dealer for specifications. Details of specifications and equipment are based on information available at time of printing and may change without notice.

