



COMBiLiFT

Customized Handling Solutions

C6000 ST

multi-directional forklift



three machines in one

> counterbalance forklift > sideloader > aisle truck

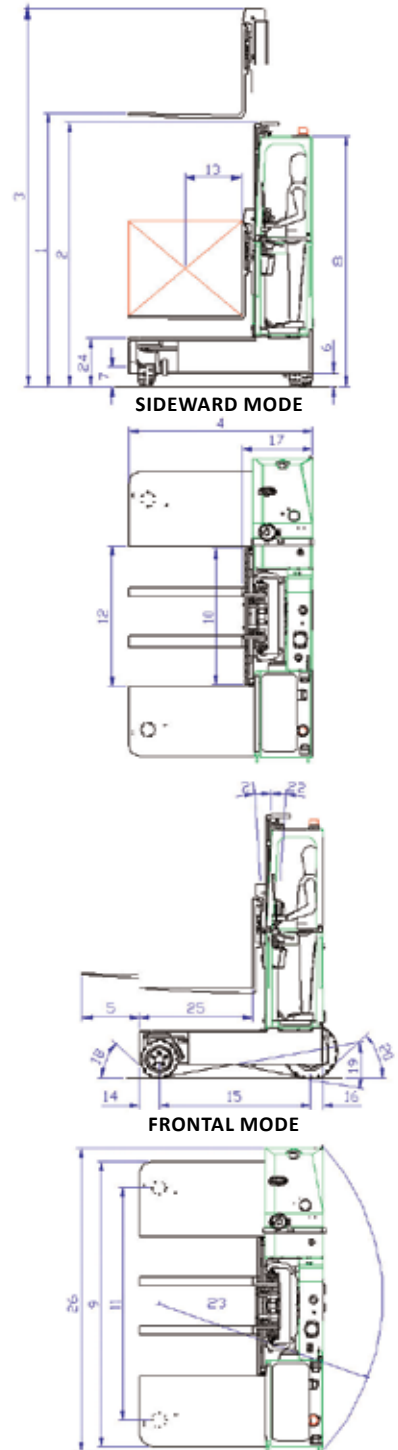
www.COMBiLiFT.com



SPECIFICATIONS

C6000 ST

	DESCRIPTION	STANDARD
1a	Max. Lift Height	159"
1b	Free Lift Height	0"
2	Height Mast Closed	111 1/2"
3	Max. (Mast raised)	204 1/4"
4	Overall Length	59" / 76 3/4"
5	Mast Travel	31 1/2" / 49 1/4"
6	Ground Clearance Under Mast	9"
7	Ground Clearance to Center of Wheelbase	5"
8	Height Over Cab (without work lights)	104 3/4"
9	Platform Width	120"
10	Outside Spread of Fork Arms	57"
11	Track Front	97 1/4"
12	Frame Opening	59"
13	Load Center Distance	12" / 24"
14	Overhang Front	8"
15	Wheelbase	45 3/4" / 63 1/2"
16	Overhang Back	5 1/4"
17	Length From Face of Fork	29 1/2"
18	Approach Angle	45 °
19	Ramp Angle	17°
20	Departure Angle	45°
21	Forward Tilt	4°
22	Backward Tilt	4°
23	Minimum Outside Radius	83" / 95"
24	Platform Height	19 1/2"
25	Platform Length	29 1/2" / 47 1/4"
26	Overall Width	120" / 128"
A	Capacity	6,000lbs
B	Unladen Weight	12,500lbs / 13,200lbs
C	Maximum Ground Speed	6 mph
D	Gradability	10%
E	Kubota V1505- T Diesel	43hp
F	LPG	65hp
G	Electric	72 Volt 620 AH
H	Fork Section	2" x 5" x 29 1/2" / 47 1/4"
I	16 x 7 – 10.5 Front Tire (Solid)	OD 16" / Width 7"
J	23 x 10 – 12 Rear Tire (Super Elastic)	OD 22 3/4" / Width 9 1/2"
K	Standard Color	Green & Grey



COMBILIFT HQ

Gallinagh, Co. Monaghan, Ireland
 T: +353 47 80500 | F: +353 47 80501
 E: info@combilift.com

COMBILIFT USA

303 Concord Street, Greensboro, North Carolina 27406
 Toll Free: 1-877 COMBI 56 | T: 336 - 378 - 8884
 F: 336 - 378 - 8842 | E: info@combilift.com

www.COMBILIFT.com

FEATURES INCLUDE:

- Rubber Mounted Cabin
- Multi-Direction Operation
- Load Sensing Steering
- 2 Wheel Hydrostatic Drive
- 4-way Lever Positioning of Wheels
- Stand up Operator

Distributed by