



COMBiLiFT

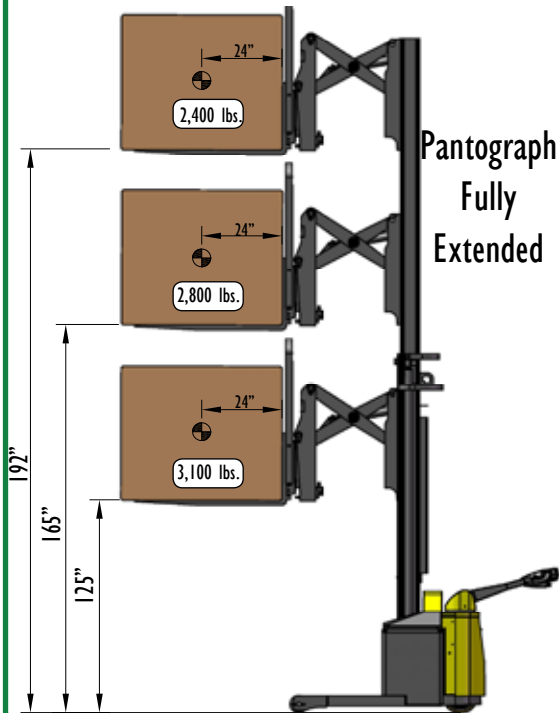
Customized Handling Solutions

COMBi[®]-WR

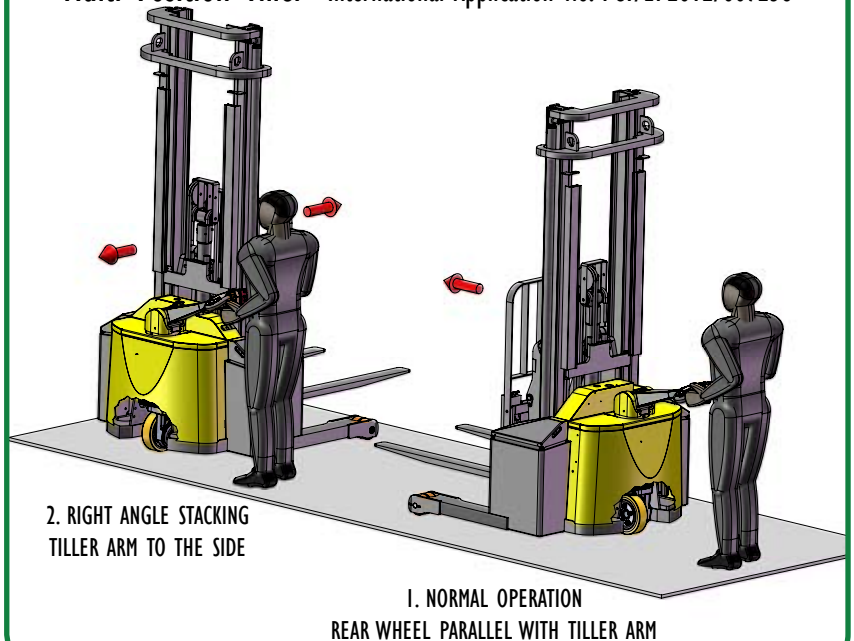
Walkie Reach



Load Capacity Chart



Multi Position Tiller- International Application No. PCT/EP2012/067238



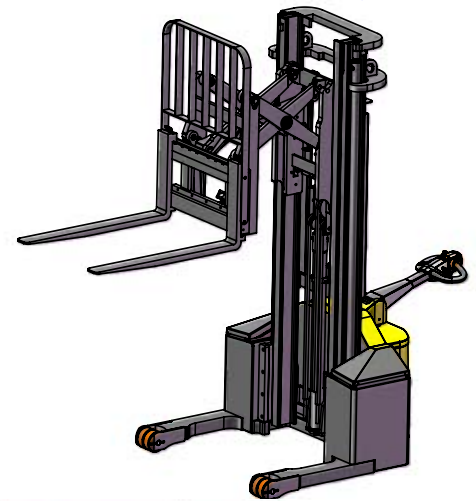
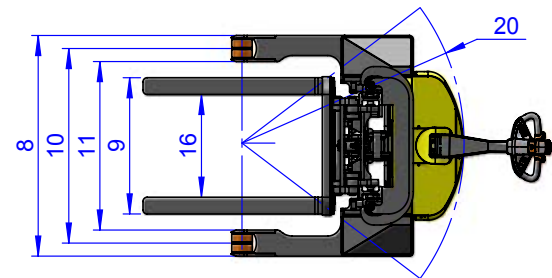
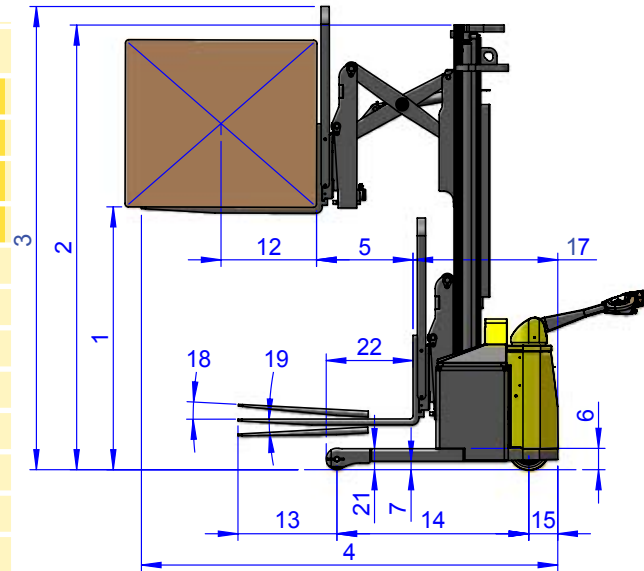


SPECIFICATIONS

COMBi®-WR

International Application No. PCT/EP2012/067238
Multi Position Tiller.

	DESCRIPTION	STD	OPTIONAL	
1a	Max. Lift Height	118"	165"	192"
1b	Free Lift Height	35"	59"	73"
2	Height Mast Closed	83"	106"	120"
3	Max. (Mast Raised)	165"	213"	240"
4	Overall Length		77"	
5	Fork Travel		23"	
6	Ground Clearance Under Mast		3"	
7	Ground Clearance to Center of Wheelbase		2"	
8	Width		52"	
9	Outside Spread of Fork Arms		32"	
10	Track Front		46"	
11	Frame Opening		39 1/2"	
12	Load Center Distance		24"	
13	Overhang Front		24"	
14	Wheelbase		46"	
15	Overhang Back		7"	
16	Fork Side Shift		3" Left / 3" Right	
17	Length from Face of Fork		34 1/2"	
18	Fork Backward Tilt		3°	
19	Fork Forward Tilt		3°	
20	Minimum Outside Radius		53"	
21	Leg Height		5"	
22	Leg Length		21"	
A	Capacity		3,100 lbs. @ 125" Lift	
B	Unladen Weight		5,500 lbs. / 5,700 lbs. / 5,950 lbs.	
C	Maximum Ground Speed		3.75 mph	
D	Gradability		5%	
E	Battery Capacity		24V / 270 Ah	
F	Fork Section		1 3/8" x 4" x 42"	
G	Front Tire (Polyurethane)		OD 5" / Width 3"	
H	Rear Tire (Vulkollan)		OD 10" / Width 3"	
I	Standard Color		Yellow & Grey	
J	AC Electric Traction Motor		24V / 3.35 Hp	
K	AC Electric Pump Motor		24V / 6.7 Hp	



Features Include:

- Pantograph
- Power Steering
- AC Motor Technology
- 39" High Load Back Rest
- Rear Wheel Drive
- 3"/3" Side Shift

Distributed by:

COMBILIFT USA

303 Concord Street, Greensboro,
North Carolina 27406

Toll Free: 1 - 877 COMBI 56

Tel: 336 - 378 - 8884 Fax: 336 - 378 - 8842

E: info@combilift.com

www.COMBILIFT.com